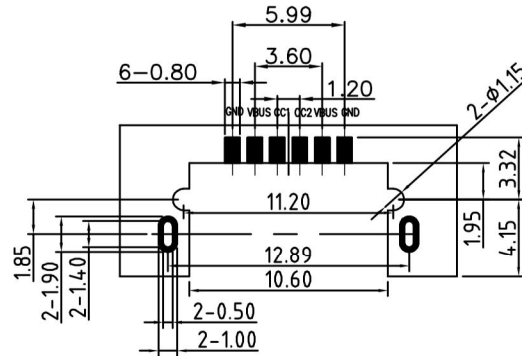
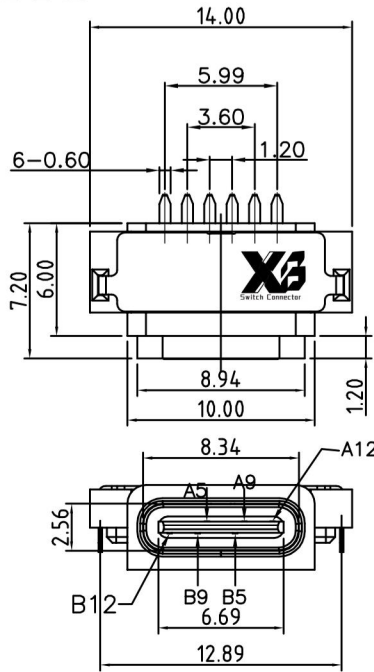


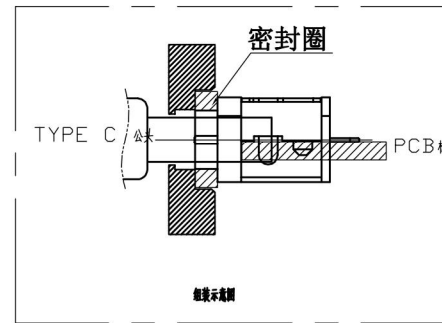
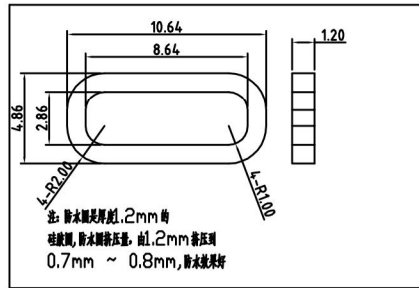
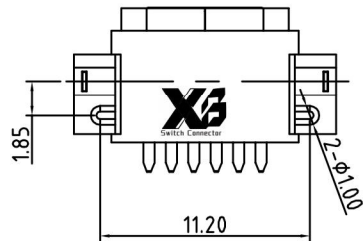
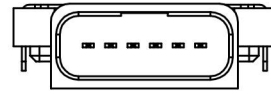
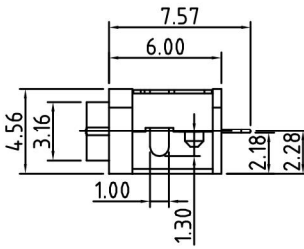
# ROHS

REV.	ECN. NO.	APPD.



RECOMMENDED PCB LAYOUT(TOP VIEW)

THICKNESS T=1.0mm  
DEFAULT TOLERANCE+/-0.05



NOTES:

SPECIFICATION:

1. CURRENT RATING: 3.0A MAX
2. DIELECTRIC WITHSTAND VOLTAGE: 100VAC
3. TEMPERATURE RANGE: -30 °C ~ 85 °C
4. CONTACT RESISTANCE: 40 MILLIONHM MAX
5. INSULATION RESISTANCE: 100 MEGOHMS MIN.
6. INSERTION FORCE : 5N~20N
7. UNMATING FORCE: 8N~20N
8. DURABILITY:5000 CYCLES

A5	CC1	B12	GND
A9	VBUS	B9	VBUS
A12	GND	B5	CC2
PIN	SIGNAL NAME	PIN	SIGNAL NAME

5	Shell2	1	SUS304 Ni Plating T=0.20mm	Ni40~120u <sup>2</sup>
4	Shell1	1	SUS304 Ni Plating T=0.3mm	Ni40~120u <sup>2</sup>
3	Housing2	1	LCP(G.F30%)	
2	Contact	4	Phosphor bronze C5210R-EH Au/Ni Plating T=0.20mm	Ni40~160u <sup>2</sup> Au CONTACT AREA:3u OTHER AREA:G/F
1	Housing	1	PA9T (G.F30%)	
ITEM	PARTNAME	Q'TY	FINISH	NOTE

THESE DRAWINGS AND SPECIFICATIONS ARE THE PROPERTY OF XI BANG ELECTRONIC TECHNOLOGY CO., LTD. AND SHALL NOT BE REPRODUCED, COPIED OR USED IN ANY MANNER WITHOUT THE PRIOR WRITTEN CONSENT OF XI BANG ELECTRONIC TECHNOLOGY CO., LTD

X.	±0.50	X.°	± 2°	UNITS	mm
.X	±0.30	.X.°	± 1°	MAT'L	/
.XX	±0.10	.XX.°	± 0.5°	FINISH	/
.XXX	± 0.05			Q'TY	/

东莞市溪榜电子有限公司 DONG GUAN XI BANG ELECTRONICS CO., LTD		TITLE:		
PART NO.		TITLE:		
XB-USB-C-6P-1123-6PIN-IPX7		6PIN TYPE C		
APPD: GAO. PENG		DWG NO:		
CHKD: HE. LONG. FEI		XB-USB-C-6P-1123-6PIN-IPX7		
DR: PANG. DONG		SCALE SHEET REV. 1/1 1/2 A1		