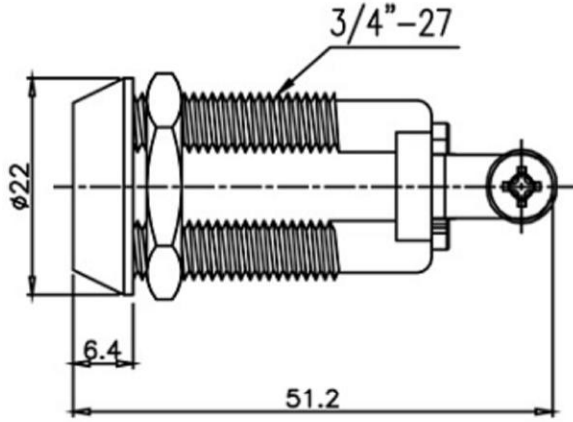
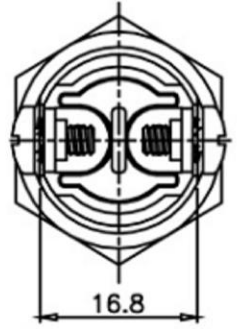


# ROHS



Unit: mm



Recommended hole size

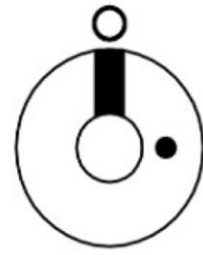
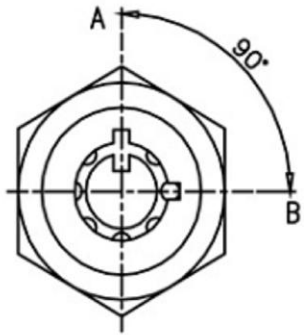
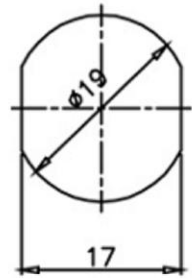


Fig.1

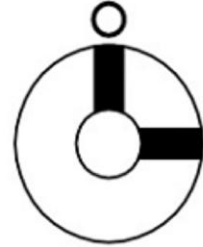


Fig.2

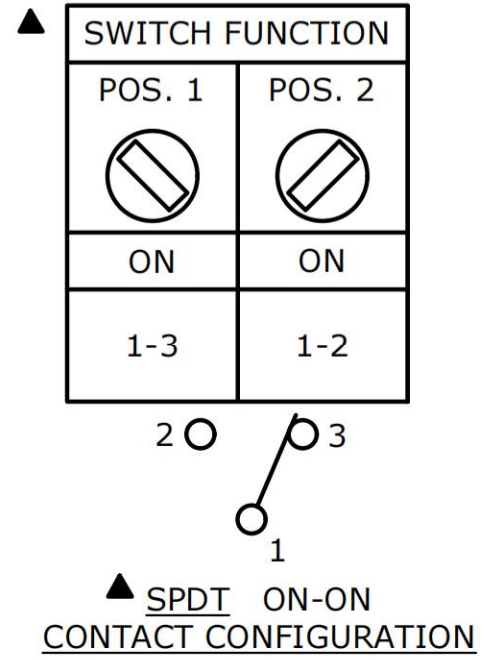


Fig No	Lock Number	Pole	Positions	Terminols	Key Pulls	Turn	⬆	⬇	Type
1	S2123-1	1	2	2	1	90°	Off	On	SPST
2	S2123-2	1	2	2	2	90°	Off	On	SPST
1	S2123A	1	2	2	1	90°	Off	(On)	SPST

( ) : Momentary Contact

Zinc alloy die cast housing and cylinder.  
 Bright chrome plated standard.  
 7 pin tumbler mechanism.  
 Steel made tubular keys, nickel plated.  
 Silver plated contacts and terminals.  
 2 position (off-on) 2 spade terminals,  
 Hex nut mounted.  
 Contact Rating: 4A 125VAC, 2A 250VAC.  
 Contact resistance: 50Milli - Ohms Max.  
 Insulation Resistance: 500 Meg - Ohms Min. (500VDC)  
 Dielectric Strength: 1500VAC - 1 Minute.

The material contained in this drawing is the property of XiBang. Any use other than that specifically authorized by XiBang is prohibited. The above drawing IS subjected to change for improvement without prior notice.

		<b>东莞市溪榜电子有限公司</b> DONG GUAN XI BANG ELECTRONICS CO., LTD									
		TITLE : XB KEY SWITCH ELECTRONIC LOCK MODEL : XB-S-2123									
UNIT : MM	DWN.	ZENQ. CHEN	DATE		TOLERANCE <=1.5mm±0.1 > 1.5mm±0.2 >=10mm±0.3	ANGLE ±2°	7	SPRING	STEEL WIRE	1	NATURE
SCALE : 3 : 1	CHK'D	PENG. GAO	DATE				6	STEEL BALL	STEEL	1	NATURE
VBRSION	01	APPD.	FEI. LONG. HE	DATE			5	BOARD	PHENOLIC RESIN	1	NATURE
							4	CONTACT CLIP	PBS STRIP	2	Ag PLATED
							3	FRAME	IRON STRIP	1	Ni PLATED
							2	TERMINAL	BRASS STRIP	8	Ag PLATED
							1	KNOB	POM	1	BLACK
							NO.	PART NAME	MATERIAL	QTY.	FINISHING